

EXPOVISION

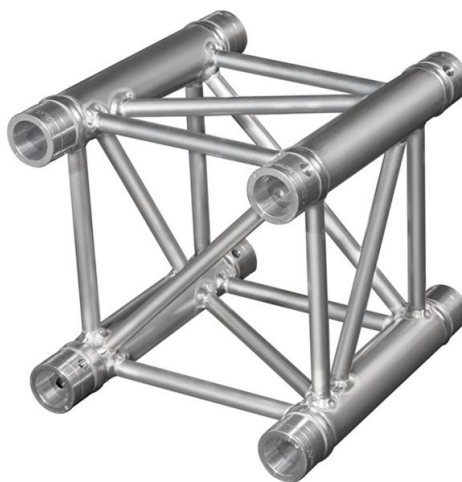
EXPVISION

TRUSSING
& RIGGING

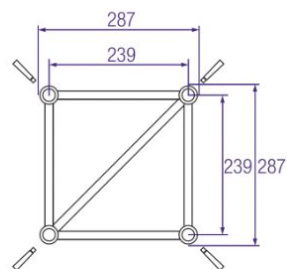
*Our range is constantly
expanding, if there are
things you don't see,
please ask and we will
see how we can help you.*

H30V-029
PROLYTE

NX34-029
NEXT



PRODUCT SPECS :



DRY HIRE : YES

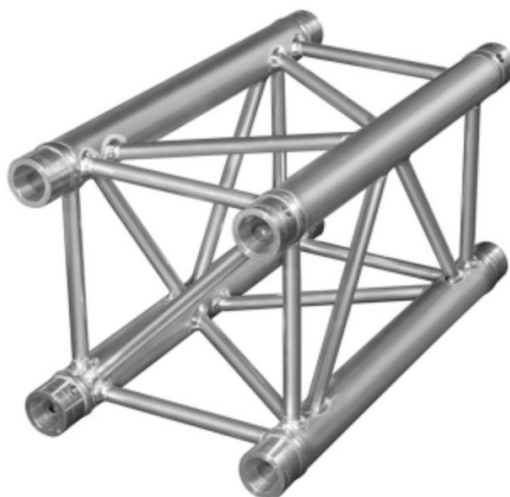
RM PRODUCT CODE : TH30V029S

RENTAL PRICE : 5,50

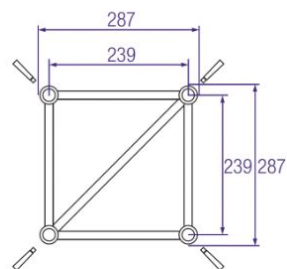
CATEGORY : TRUSSING

H30V-050
PROLYTE

NX34-050
NEXT



PRODUCT SPECS :



DRY HIRE : YES

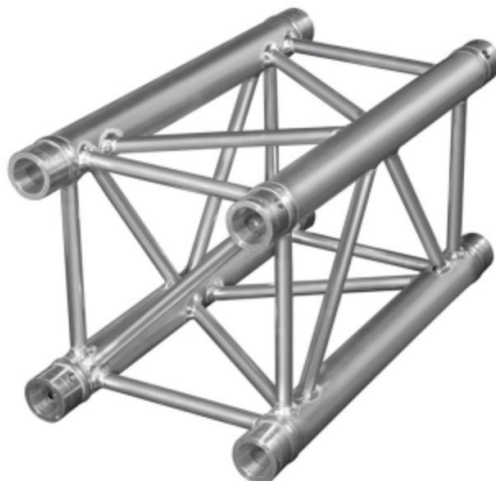
RM PRODUCT CODE : TH30V050S

RENTAL PRICE : 5,50

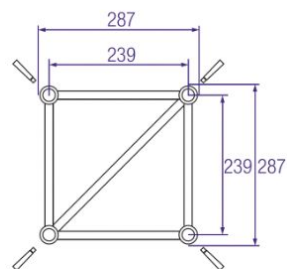
CATEGORY : TRUSSING

H30V-071
PROLYTE

NX34-071
NEXT



PRODUCT SPECS :



DRY HIRE : YES

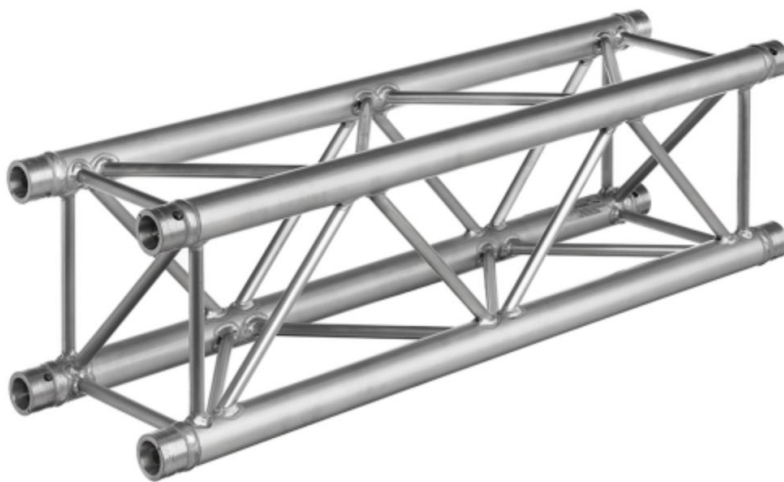
RM PRODUCT CODE : TH30V071S

RENTAL PRICE : 5,50

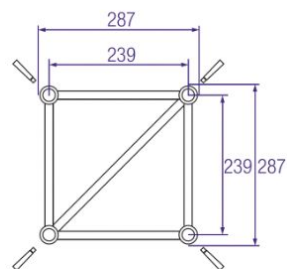
CATEGORY : TRUSSING

H30V-100
PROLYTE

NX34-100
NEXT



PRODUCT SPECS :



DRY HIRE : YES

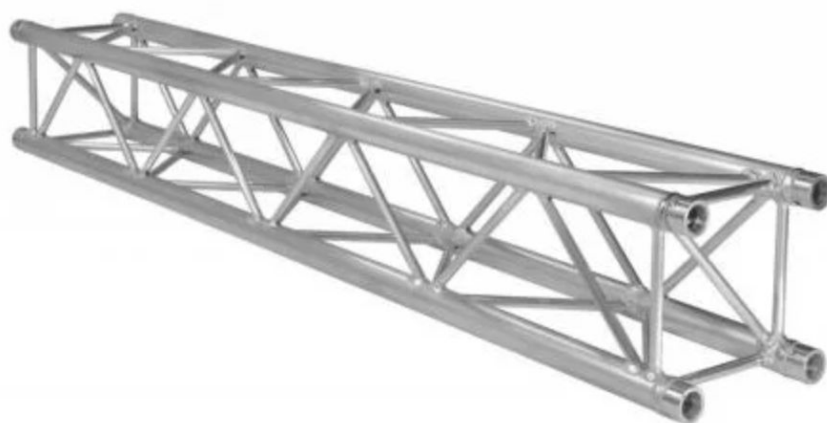
RM PRODUCT CODE : TH30V100S

RENTAL PRICE : 5,50

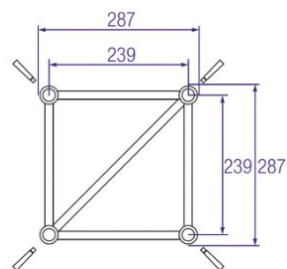
CATEGORY : TRUSSING

H30V-200
PROLYTE

NX34-200
NEXT



PRODUCT SPECS :



DRY HIRE : YES

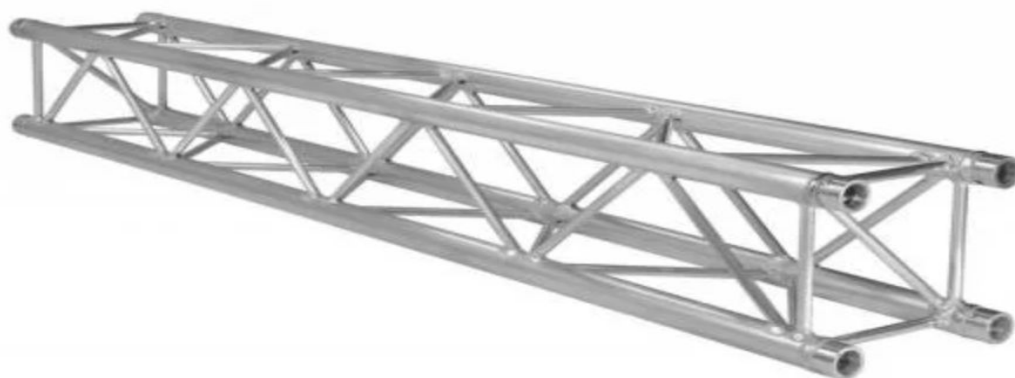
RM PRODUCT CODE : TH30V200S

RENTAL PRICE : 8,75

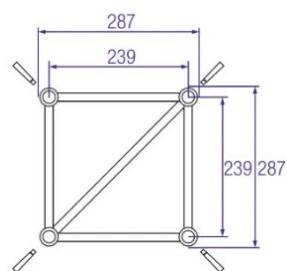
CATEGORY : TRUSSING

H30V-300
PROLYTE

NX34-300
NEXT



PRODUCT SPECS :



DRY HIRE : YES

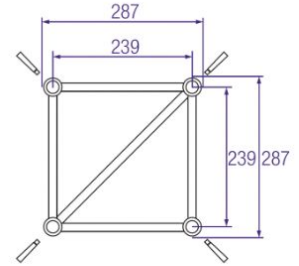
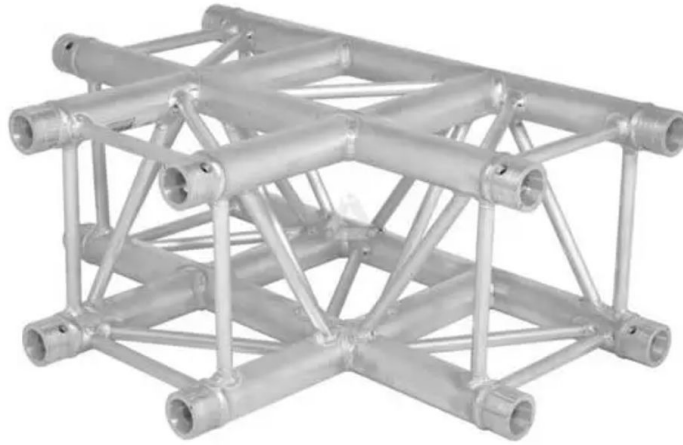
RM PRODUCT CODE : TH30V300S

RENTAL PRICE : 13,00

CATEGORY : TRUSSING

H30V-C017
PROLYTE

NX34-T
NEXT



PRODUCT SPECS :



**H30V-C003 2-Way
Corner 90°**

Next : NH34-L90



**H30V-C017 3-Way Corner
T-Joint**

Next : NH34-T



**H30V-C016 4-Way
Corner Cross**

Next : NH34-X



H30V-C012 3-Way Corner

Next ; NH34-L90D



**H30V-C020 4-Way
Corner**

Next : NH34-TD



**H30V-C024 5-Way
Corner**

Next : NH34-XD

DRY HIRE : YES

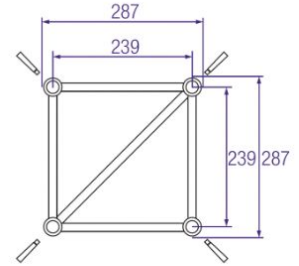
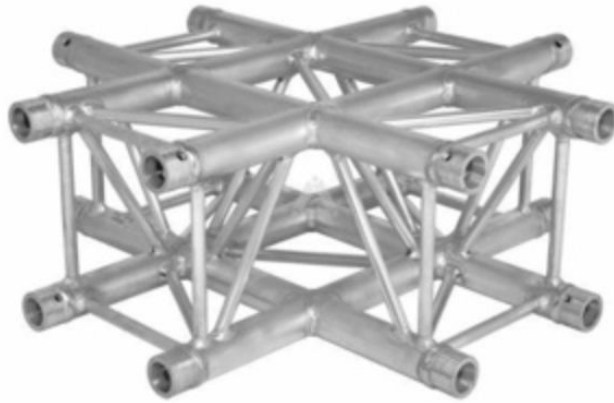
RM PRODUCT CODE :

RENTAL PRICE : 13,75

CATEGORY : TRUSSING

H30V-C016
PROLYTE

NX34-X
NEXT



PRODUCT SPECS :



**H30V-C003 2-Way
Corner 90°**

Next : NH34-L90



**H30V-C017 3-Way Corner
T-Joint**

Next : NH34-T



**H30V-C016 4-Way
Corner Cross**

Next : NH34-X



**H30V-C012 3-Way
Corner**

Next ; NH34-L90D



**H30V-C020 4-Way
Corner**

Next : NH34-TD



**H30V-C024 5-Way
Corner**

Next : NH34-XD

DRY HIRE : YES

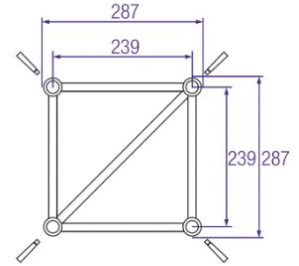
RM PRODUCT CODE :

RENTAL PRICE : 13,75

CATEGORY : TRUSSING

H30V-C012
PROLYTE

NX34-L90D
NEXT



PRODUCT SPECS :



**H30V-C003 2-Way
Corner 90°**

Next : NH34-L90



**H30V-C017 3-Way Corner
T-Joint**

Next : NH34-T



**H30V-C016 4-Way
Corner Cross**

Next : NH34-X



**H30V-C012 3-Way
Corner**

Next ; NH34-L90D



**H30V-C020 4-Way
Corner**

Next : NH34-TD



**H30V-C024 5-Way
Corner**

Next : NH34-XD

DRY HIRE : YES

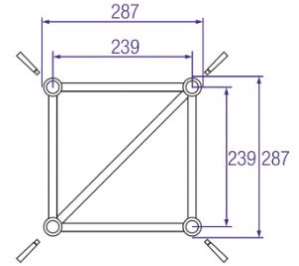
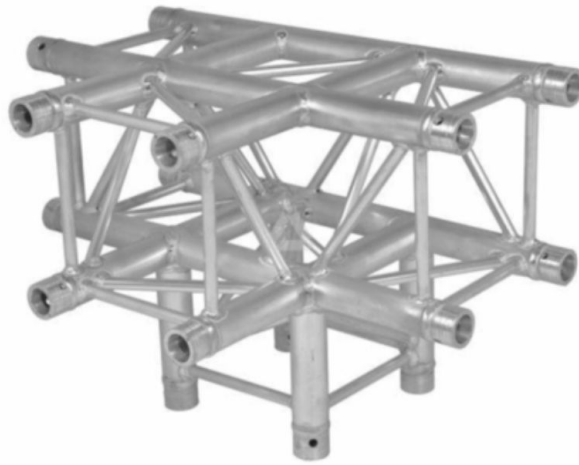
RM PRODUCT CODE :

RENTAL PRICE : 13,75

CATEGORY : TRUSSING

H30V-C020
PROLYTE

NX34-TD
NEXT



PRODUCT SPECS :



**H30V-C003 2-Way
Corner 90°**

Next : NH34-L90



**H30V-C017 3-Way Corner
T-Joint**

Next : NH34-T



**H30V-C016 4-Way
Corner Cross**

Next : NH34-X



H30V-C012 3-Way Corner

Next ; NH34-L90D



**H30V-C020 4-Way
Corner**

Next : NH34-TD



**H30V-C024 5-Way
Corner**

Next : NH34-XD

DRY HIRE : YES

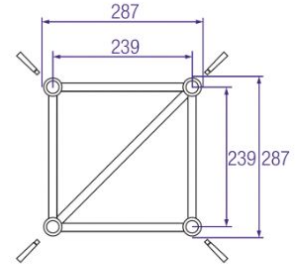
RM PRODUCT CODE :

RENTAL PRICE : 16,50

CATEGORY : TRUSSING

H30V-C024
PROLYTE

NX34-XD
NEXT



PRODUCT SPECS :



**H30V-C003 2-Way
Corner 90°**

Next : NH34-L90



**H30V-C017 3-Way Corner
T-Joint**

Next : NH34-T



**H30V-C016 4-Way
Corner Cross**

Next : NH34-X



H30V-C012 3-Way Corner

Next ; NH34-L90D



**H30V-C020 4-Way
Corner**

Next : NH34-TD



**H30V-C024 5-Way
Corner**

Next : NH34-XD

DRY HIRE : YES

RM PRODUCT CODE :

RENTAL PRICE : 16,50

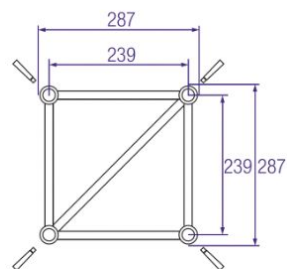
CATEGORY : TRUSSING

H30V-029 BLACK
PROLYTE

NX34-029 BLACK
NEXT



PRODUCT SPECS :



DRY HIRE : YES

RM PRODUCT CODE :

RENTAL PRICE : 8,00

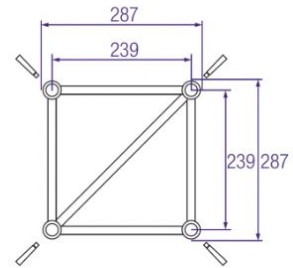
CATEGORY : TRUSSING

H30V-050 BLACK
PROLYTE

NX34-050 BLACK
NEXT



PRODUCT SPECS :



DRY HIRE : YES

RM PRODUCT CODE :

RENTAL PRICE : 8,00

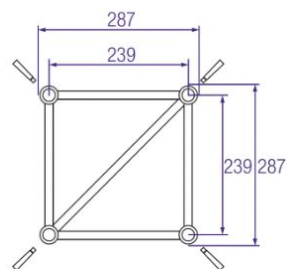
CATEGORY : TRUSSING

H30V-071 BLACK
PROLYTE

NX34-071 BLACK
NEXT



PRODUCT SPECS :



DRY HIRE : YES

RM PRODUCT CODE :

RENTAL PRICE : 8,00

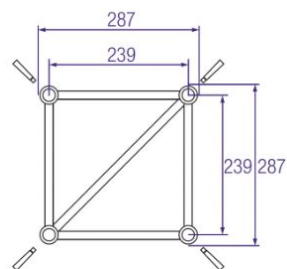
CATEGORY : TRUSSING

H30V-100 BLACK
PROLYTE

NX34-100 BLACK
NEXT



PRODUCT SPECS :



DRY HIRE : YES

RM PRODUCT CODE :

RENTAL PRICE : 8,00

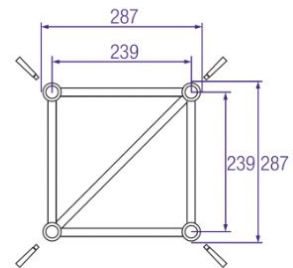
CATEGORY : TRUSSING

H30V-200 BLACK
PROLYTE

NX34-200 BLACK
NEXT



PRODUCT SPECS :



DRY HIRE : YES

RM PRODUCT CODE :

RENTAL PRICE : 13,00

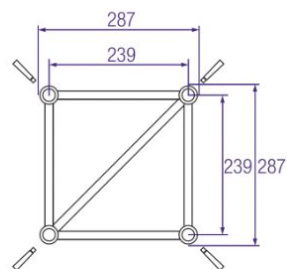
CATEGORY : TRUSSING

H30V-300 BLACK
PROLYTE

NX34-300 BLACK
NEXT



PRODUCT SPECS :



DRY HIRE : YES

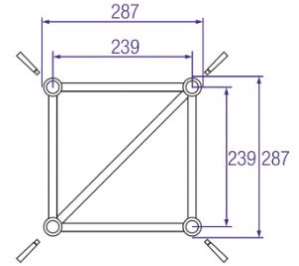
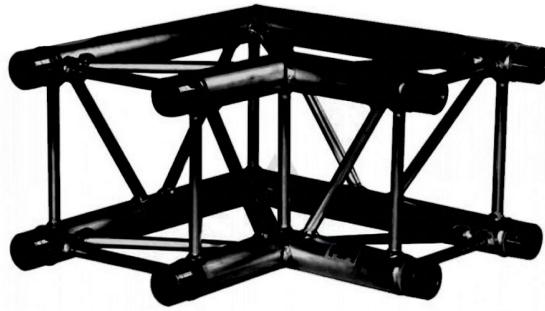
RM PRODUCT CODE :

RENTAL PRICE : 19,00

CATEGORY : TRUSSING

H30V-C003 BLACK
PROLYTE

NX34-L90 BLACK
NEXT



PRODUCT SPECS :



H30V-C003 2-Way
Corner 90°

Next : NH34-L90



H30V-C017 3-Way Corner
T-Joint

Next : NH34-T



H30V-C016 4-Way
Corner Cross

Next : NH34-X



H30V-C012 3-Way
Corner

Next ; NH34-L90D



H30V-C020 4-Way
Corner

Next : NH34-TD



H30V-C024 5-Way
Corner

Next : NH34-XD

DRY HIRE : YES

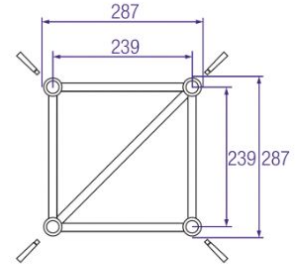
RM PRODUCT CODE :

RENTAL PRICE : 13,00

CATEGORY : TRUSSING

H30V-C017 BLACK
PROLYTE

NX34-T BLACK
NEXT



PRODUCT SPECS :



H30V-C003 2-Way
Corner 90°

Next : NH34-L90



H30V-C017 3-Way Corner
T-Joint

Next : NH34-T



H30V-C016 4-Way
Corner Cross

Next : NH34-X



H30V-C012 3-Way Corner

Next ; NH34-L90D



H30V-C020 4-Way
Corner

Next : NH34-TD



H30V-C024 5-Way
Corner

Next : NH34-XD

DRY HIRE : YES

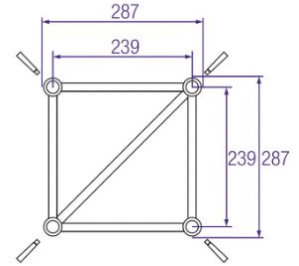
RM PRODUCT CODE :

RENTAL PRICE : 16,00

CATEGORY : TRUSSING

H30V-C016 BLACK
PROLYTE

NX34-X BLACK
NEXT



PRODUCT SPECS :



H30V-C003 2-Way
Corner 90°

Next : NH34-L90



H30V-C017 3-Way Corner
T-Joint

Next : NH34-T



H30V-C016 4-Way
Corner Cross

Next : NH34-X



H30V-C012 3-Way
Corner

Next ; NH34-L90D



H30V-C020 4-Way
Corner

Next : NH34-TD



H30V-C024 5-Way
Corner

Next : NH34-XD

DRY HIRE : YES

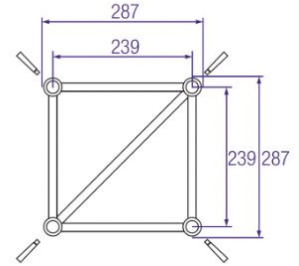
RM PRODUCT CODE :

RENTAL PRICE : 16,00

CATEGORY : TRUSSING

H30V-C012 BLACK
PROLYTE

NX34-L90D BLACK
NEXT



PRODUCT SPECS :



Next : NH34-L90



Next : NH34-T



Next : NH34-X



Next ; NH34-L90D



Next : NH34-TD



Next : NH34-XD

DRY HIRE : YES

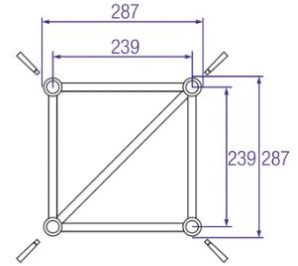
RM PRODUCT CODE :

RENTAL PRICE : 16,00

CATEGORY : TRUSSING

H30V-C020 BLACK
PROLYTE

NX34-TD BLACK
NEXT



PRODUCT SPECS :



**H30V-C003 2-Way
Corner 90°**

Next : NH34-L90



**H30V-C017 3-Way Corner
T-Joint**

Next : NH34-T



**H30V-C016 4-Way
Corner Cross**

Next : NH34-X



**H30V-C012 3-Way
Corner**

Next ; NH34-L90D



**H30V-C020 4-Way
Corner**

Next : NH34-TD



**H30V-C024 5-Way
Corner**

Next : NH34-XD

DRY HIRE : YES

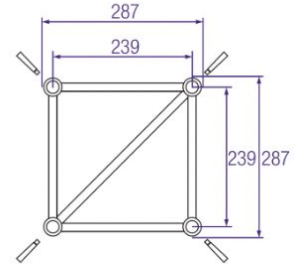
RM PRODUCT CODE :

RENTAL PRICE : 19,50

CATEGORY : TRUSSING

H30V-C024 BLACK
PROLYTE

NX34-XD BLACK
NEXT



PRODUCT SPECS :



**H30V-C003 2-Way
Corner 90°**

Next : NH34-L90



**H30V-C017 3-Way Corner
T-Joint**

Next : NH34-T



**H30V-C016 4-Way
Corner Cross**

Next : NH34-X



**H30V-C012 3-Way
Corner**

Next ; NH34-L90D



**H30V-C020 4-Way
Corner**

Next : NH34-TD



**H30V-C024 5-Way
Corner**

Next : NH34-XD

DRY HIRE : YES

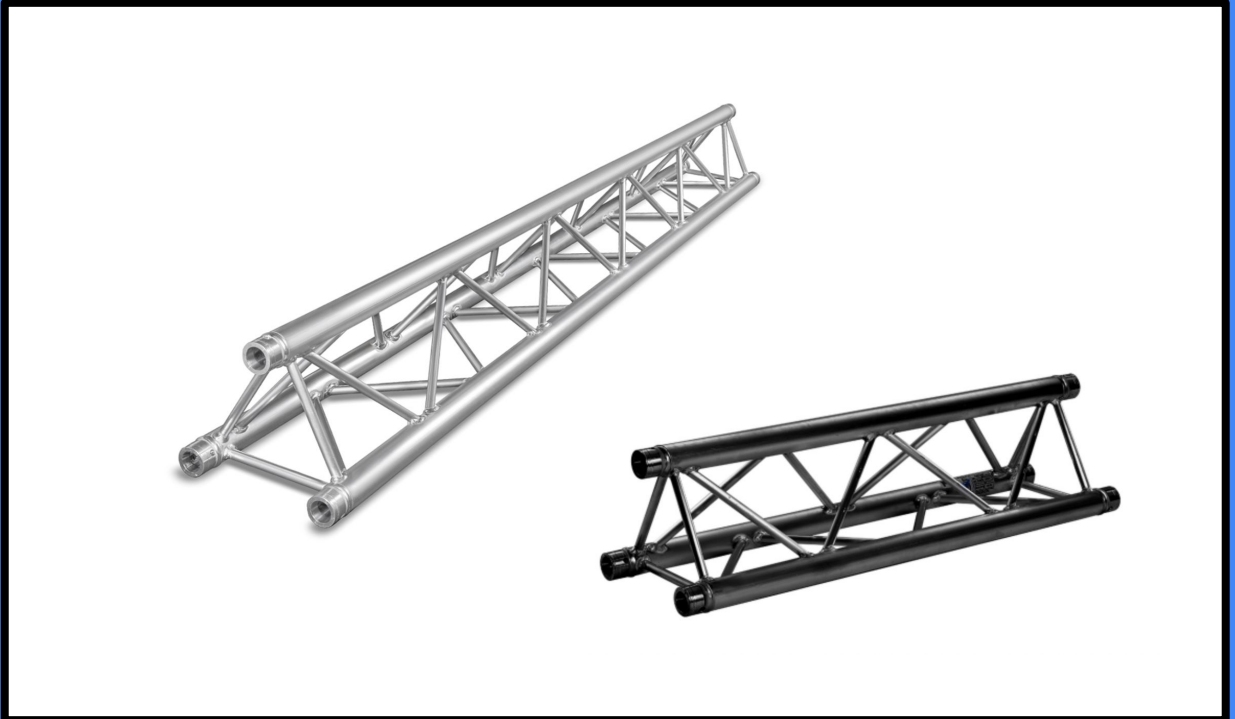
RM PRODUCT CODE :

RENTAL PRICE : 19,50

CATEGORY : TRUSSING

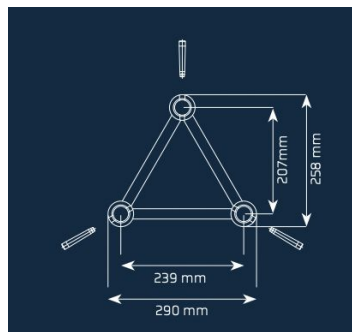
X30-D SILVER & BLACK
PROLYTE

NX33-X SILVER & BLACK
NEXT



PRODUCT SPECS :

Lengths & corners on demand



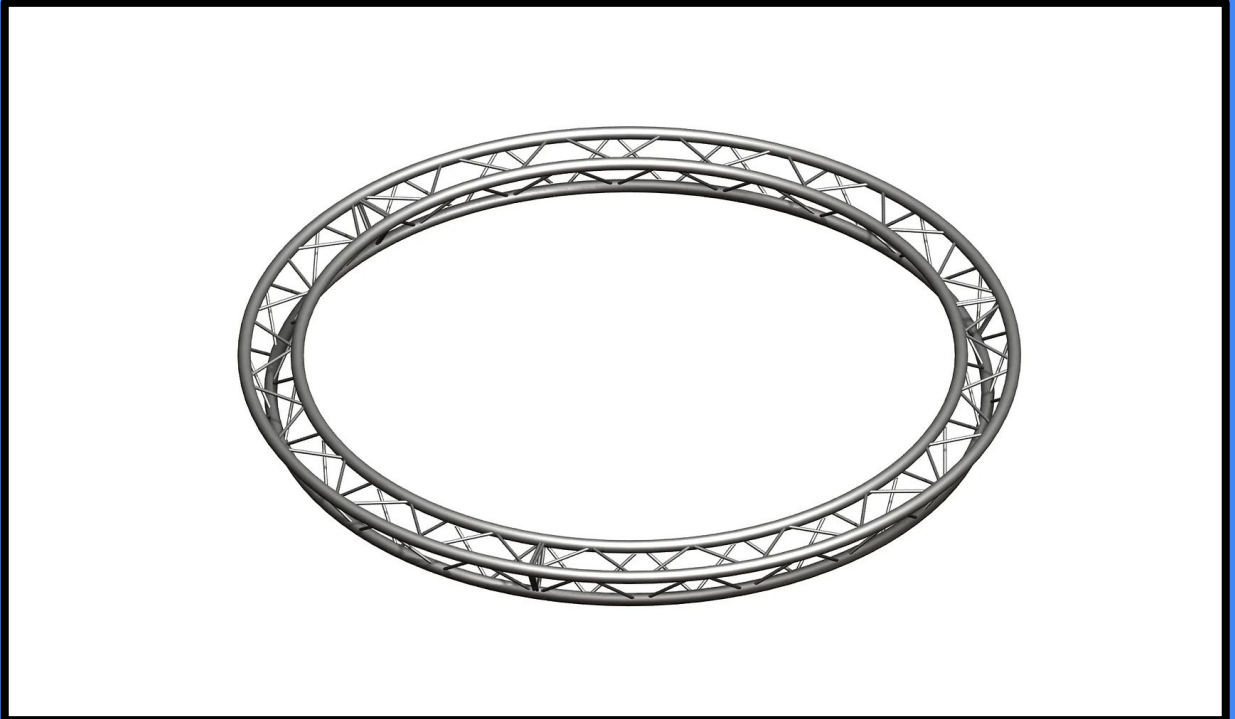
DRY HIRE : YES

RM PRODUCT CODE :

RENTAL PRICE : Price on demand

CATEGORY : TRUSSING

CIRCLE 2 - 3 - 4 - 6 - 8 - 10 - 12 m
Prolyte / Next



PRODUCT SPECS :

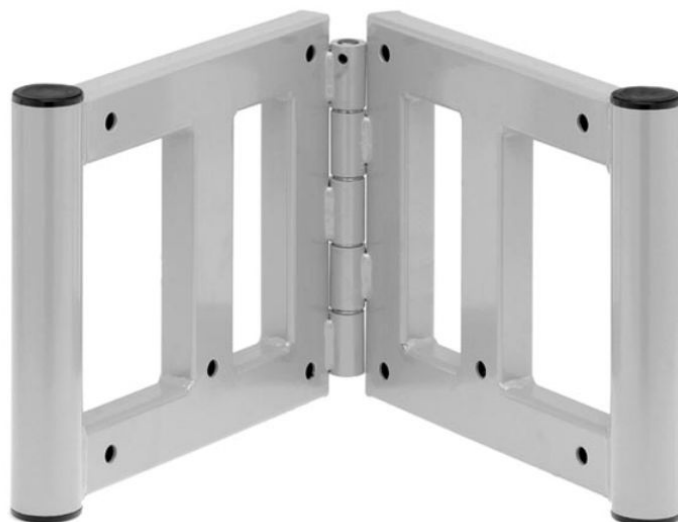
H30-V , X30-D , Black , Silver price on demand.

DRY HIRE : YES

RM PRODUCT CODE :

RENTAL PRICE : Price on demand

BOOK CORNER PROLYTE



PRODUCT SPECS :

Book Corner for H30V en X30 series

DRY HIRE : YES

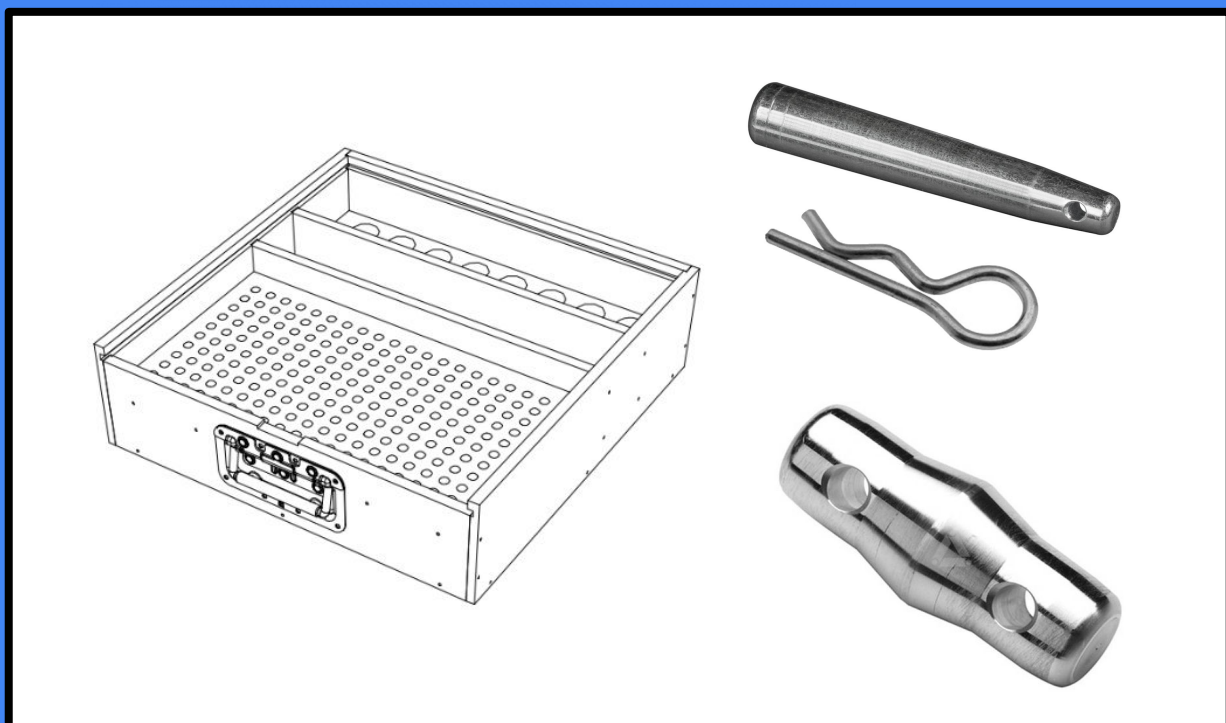
RM PRODUCT CODE :

RENTAL PRICE : Price on demand

CATEGORY : TRUSSING

PINCASE 200
PROLYTE

PINCASE 200
NEXT



PRODUCT SPECS :

200x pins & clips
16x conical coupler

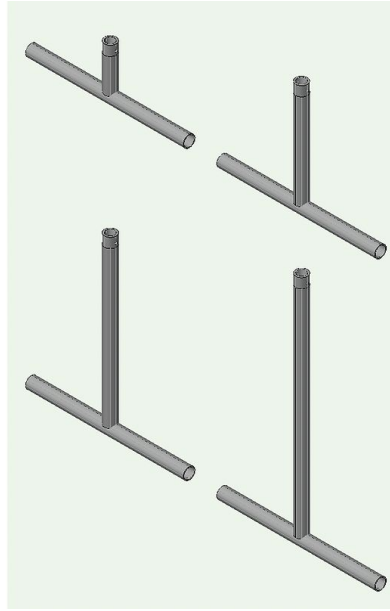
DRY HIRE : YES

RM PRODUCT CODE :

RENTAL PRICE : 20,00

CATEGORY : TRUSSING

Downrigger



PRODUCT SPECS :

Downrigger 25 - 50 - 75 - 100 cm
+ C-clamp with half coupler
B = 65 cm

DRY HIRE : YES

RM PRODUCT CODE :

RENTAL PRICE : 7,50 / pcs

CATEGORY : TRUSSING

MPT - TOWER PROLYTE



PRODUCT SPECS :

The MPT tower is based on H30V truss and employs a sleeve block that fits to any of the 30 or 40 Series trusses on all four sides by means of bolted CCS6 couplers (either male or female). In combination with an adapter plate, it is also possible to use the sleeve block with either S36R or S36V truss. The MPT tower has a self-weight of 115 kg. The MPT sleeve block is a fully bolted structural element, making it much stronger and more precise than conventional welded versions. The top section and base section can facilitate the use of either a hand winch or a chain hoist. The MPT tower is a cost-effective investment. You need only purchase the special parts if you wish to expand your truss system with towers.

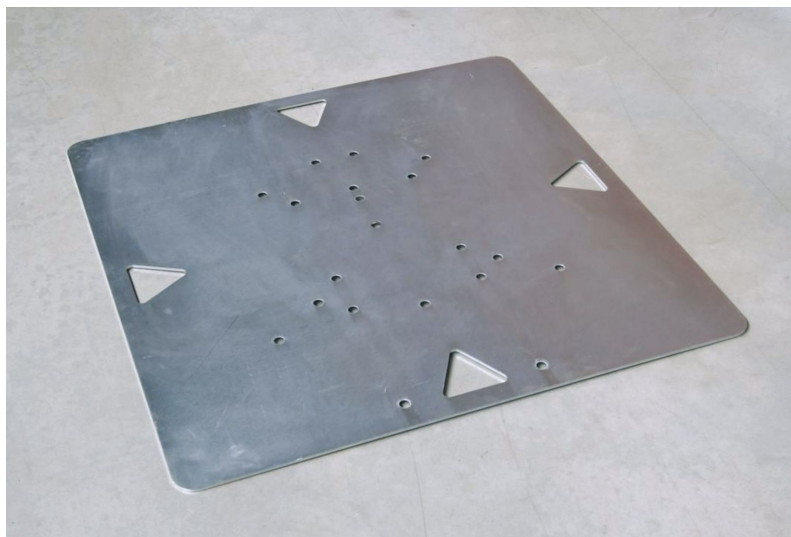
DRY HIRE : NO - Only with Expovision crew

RM PRODUCT CODE :

RENTAL PRICE : Price on demand

CATEGORY : TRUSSING

BASEPLATE Prolyte / Next



PRODUCT SPECS :

- 100 x 100 CM
- 40 kg

DRY HIRE : YES

RM PRODUCT CODE :

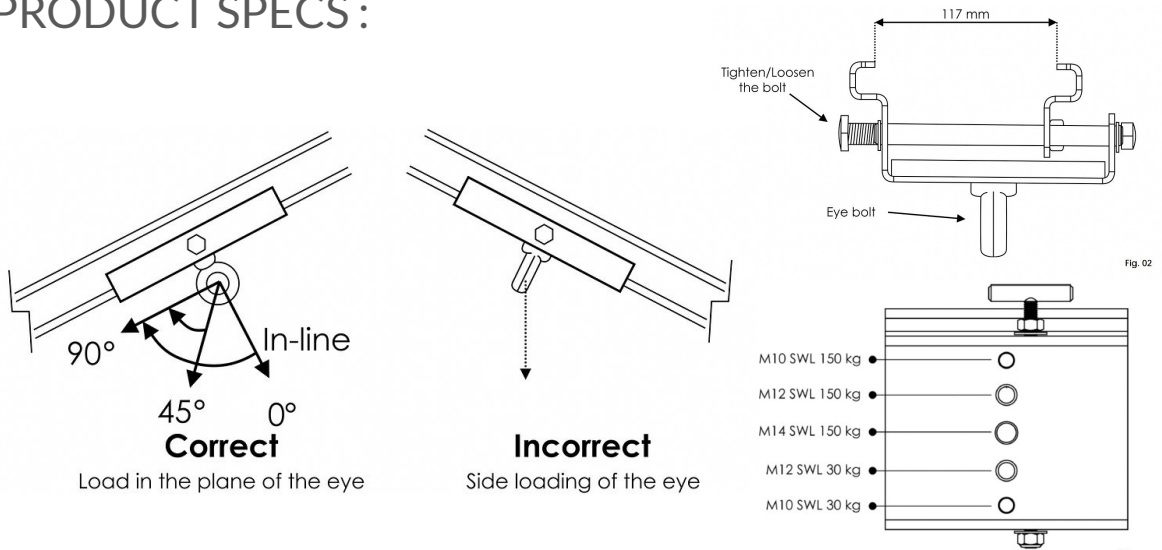
RENTAL PRICE : 11,00

CATEGORY : TRUSSING

TENTCLAMP - max.150kg DAP



PRODUCT SPECS :



DRY HIRE : YES

RM PRODUCT CODE :

RENTAL PRICE : 10,00

CATEGORY : RIGGING

DOUBLE C-CLAMP

Doughty



PRODUCT SPECS :

- available in silver or black
- fits all truss

DRY HIRE : YES

RM PRODUCT CODE :

RENTAL PRICE : 3,00

CATEGORY : RIGGING

MANUAL HOIST SLS



PRODUCT SPECS :

Manual hoist 500kg

DRY HIRE : YES

RM PRODUCT CODE :

RENTAL PRICE : 20,00

CATEGORY : RIGGING

SOFT STEEL + HARP PROLYFT



PRODUCT SPECS :

Soft Steel 2 TON
Harp 3,5 TON

DRY HIRE : YES

RM PRODUCT CODE :

RENTAL PRICE : 3,00

CATEGORY : RIGGING